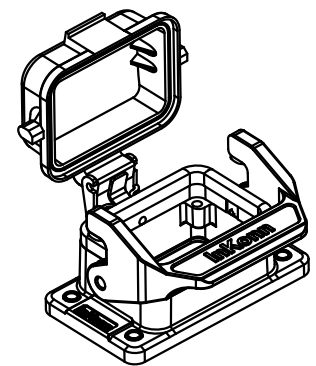
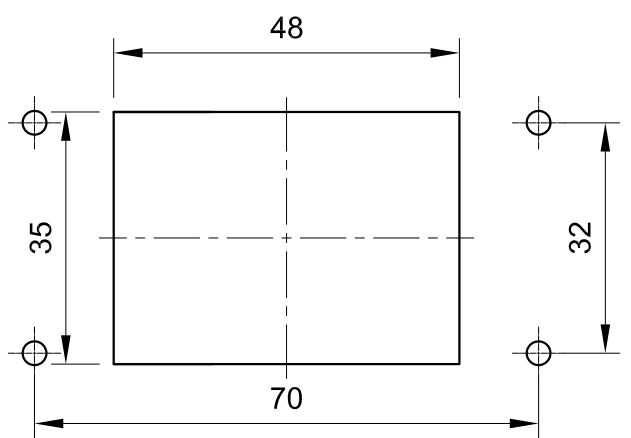



Panel cut out



 InKonn (Suzhou) Electric Technology Co.,Ltd.	All Dimensions in mm Original Size DIN A4	Date 2019-12-1	Drawing No. TC1404534	Rev. A00	Scale 1:1
	Part No. 10 11 006 0551	Created by Shuxu Huang	Checked by Yiyi Luo	Type Name HB6-BM-PC-SL	Page 1/1